

ROBOTIC HEAD FOR BROADCAST CAMERA

SPIRIT HEAD

Broadcast camera with PTZ control



SPIRIT Head our line of robust, precision designed remote heads that support a camera/optics pair weighing up to 12 kg (26 lbs).

All the camera and optical unit hardware is contained in one area of the unit with a variety of connector options available.

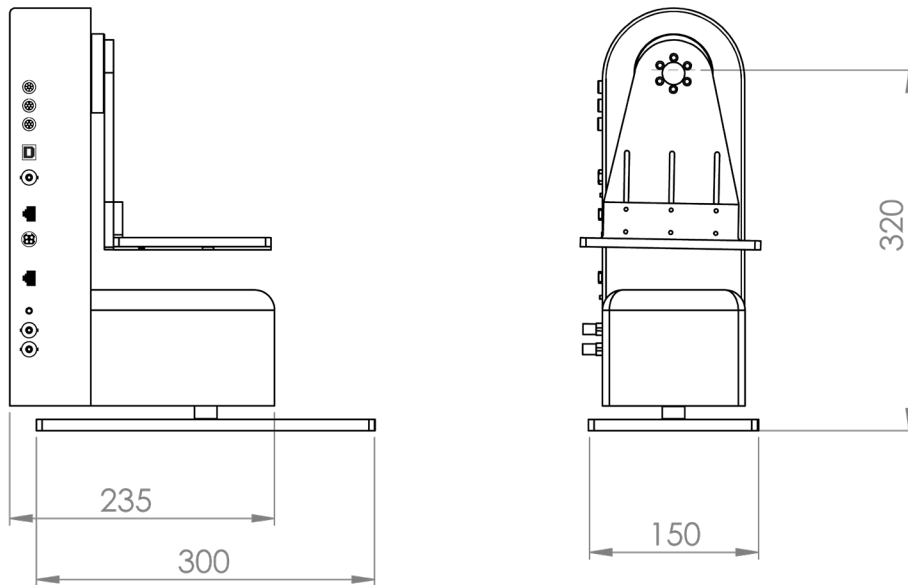
SPIRIT Head comes in different sizes to fit various camera units.

SPIRIT

www.multicam-systems.com

multiCAM
systems

HEAD



(SPIRIT HEAD M Version)

Technical specifications

Models	M / L
Encoder	Incremental with Automatic Homing
Resolution	300 000 counts/rev
Accuracy	0.0012°
Pan Travel	720° (Software limited)
Tilt Travel	67.2° (M) / 109.2° (L)
Max Velocity	120°/s
Torque	9.6 Nm
Payload	12kg
Optical Axis Height	320 mm (M) / 420 mm (L)
Remote control	IP with Web interface, SPIRIT Joystick, multiCAM Suite, UDP (SPIRIT protocol)
Blackmagic	SDI in/out + RJ45 (Control)
Genlock IN	Black Burst / Tri-Level
Genlock OUT	SDI Loop
Compatibility	SPIRIT Dolly / Lift / Slide
Tracking	Free-D (encoding data with AR pack incl. lens data for Canon or Fujinon lenses)
Network	1x RJ45 (Head)
Power IN	24Vdc 5A
Dimensions	240 cm (W) x 12 cm (D) Height: 38 cm (M) / 48 cm (L)
Weight	6.5 kg (M) / 7.2 kg (L)

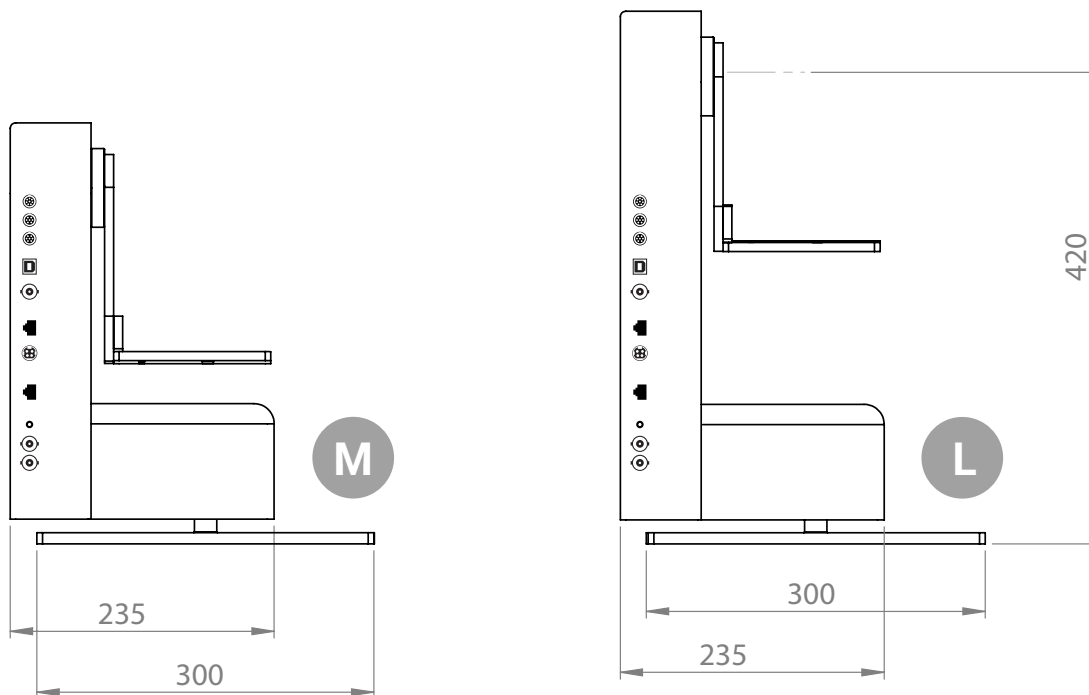
Multiples connections



1. Canon or Fujinon digital optical control (lemo 8 pts)
2. Analog zoom control and coder (lemo 7 pts)
3. Analog focus control (lemo 7pts)
4. USB port for maintenance
5. Genlock SDI IN + LOOP
6. IP address reset
7. Head command data
8. DC in (XLR 3 pts)
9. Blackmagic camera control data
10. IP address reset
11. Blackmagic camera control via SDI OUT
12. Blackmagic camera control data (SDI IN)

Two sizes: M, L

SPIRIT HEAD comes in two different sizes depending of camera systems to mount on it.





SPIRIT Robotic Solutions are used in various Virtual and Augmented Reality productions.

Contact us for a turnkey solution!



SPIRIT

www.multicam-systems.com

multiCAM
systems

SPIRIT

Contact us to receive our pricing list
and live demo invites!

sales@multicam-systems.com

multiCAM
systems

www.multicam-systems.com